



 **Infinity**<sup>®</sup>

reference series

4002i, 5002i,  
6002i, 6002si,  
9602i, 9603i,  
3002cf, 6402cf,  
6402cfp, 6802cf  
instructions

**Thank you** for purchasing Infinity's Reference Series multi-element automotive loudspeakers. We've organized this manual to make their installation as simple and trouble-free as possible. Please read it thoroughly before proceeding. Remember to keep your sales receipt with this manual in a safe place so both are available for future reference.

**IMPORTANT:** Installation of automotive stereo components can require extensive experience with a variety of mechanical and electrical procedures. Although these instructions explain how to install Reference Series speakers in a general sense, they do not show the exact installation methods for your particular vehicle. If you do not feel you have the experience, do not attempt the installation yourself; instead, ask your authorized Infinity car audio dealer about professional installation options.

**WARNING:** Playing loud music in an automobile can permanently damage your hearing, as well as hinder your ability to hear traffic. The maximum volume levels achievable with Infinity speakers, combined with high power amplification, may exceed safe levels for extended listening. We recommend using low volume levels when driving. Infinity accepts no liability for hearing loss, bodily injury, or property damage as a result of use or misuse of this product.

## INSTALLATION WARNINGS AND TIPS

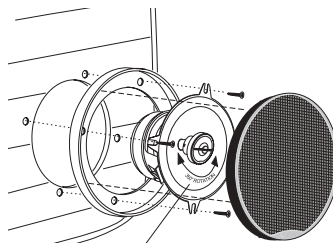
- Always wear protective eyewear when using any tools.
  - Turn off all audio components and other electrical devices before you start. Disconnect the (-) negative lead from your vehicle's battery.
  - Keep speakers in their package until final installation. When moving a speaker, always rest it with the cone or dome facing up. Never use force to install any speaker.
  - Check clearances on both sides of a planned mounting surface before drilling any holes or installing any screws. Remember that the screws can extend behind the surface.
  - At the installation sites, locate and make a note of all fuel lines, hydraulic brake lines, vacuum lines and electrical wiring. Use extreme caution when cutting or drilling in and around these areas.
- CAUTION:** In some cars, fuel tanks may be located directly beneath the rear deck. Check for adequate speaker basket clearance before considering this location!
- Before drilling or cutting holes, use a utility knife to remove unwanted fabric or vinyl, to keep material from snagging in a drill bit or saw.
  - For door installations, check the clearance with the windows throughout the range of the window's travel, and verify that a mounted speaker will not interfere with the window crank or power window mechanism.
  - If mounting speakers elsewhere, check for clearance around rear deck torsion bars, glove box or other structural elements.
  - Do not mount speakers where they will get wet.

## INSTALLATION

Figure 1.  
Mounting the 4002i, 5002i, 9602i, 9603i, 3002cf and 6802cf.

*NOTE: The 3002cf and 6802cf speakers are designed to be installed under factory grilles. Consequently, no grilles are packaged with these models.*

*NOTE: If you are mounting the 6802cf in a 6" x 8" location, use the adapter provided.*

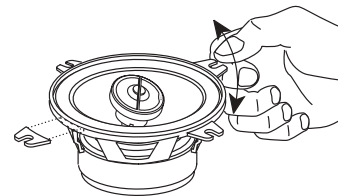


ROTATE TWEETER SO IT IS ANGLED TOWARD THE LISTENER USING THE UNIPIVOT™ (pat. 6,002,780) FEATURE ON THE 5002i, 6002i, 9602i AND 6802cf

## INSTALLATION

Figure 2.  
Modifying the 4002i to be installed in locations requiring fewer than 4 mounting "ears."

*NOTE: Bend tab back and forth to detach it from the speaker.*

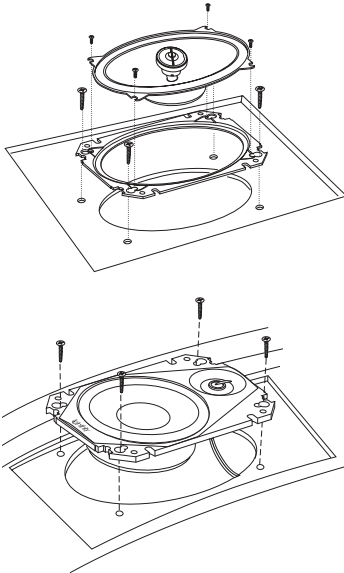


## INSTALLATION

Figure 3.  
Mounting the 6402cf and 6402cfp.

*NOTE: The 6402cf and 6402cfp are designed to be installed under factory grilles. Consequently, no grilles are packaged with these models.*

*NOTE: If you are replacing a DIN (oval basket) 4" x 6" speaker with a 6402cf, remove the speaker from the mounting bracket as shown in Figure 3.*



## INSTALLATION

Figure 4.  
Mounting the 6002i with the grille.

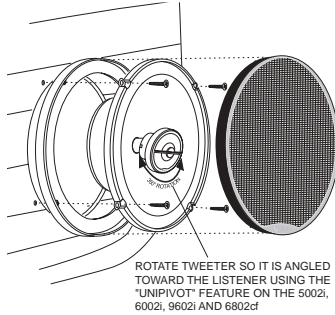
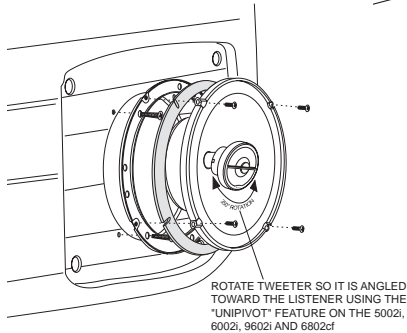
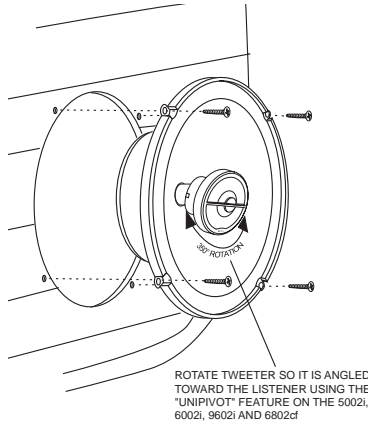


Figure 5.  
Mounting the 6002i in standard speaker locations.



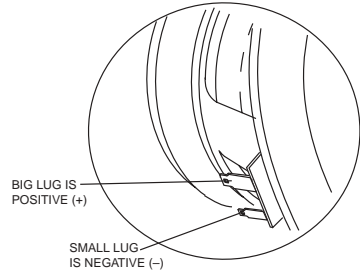
## INSTALLATION

Figure 6.  
Mounting the 6002i in 165mm speaker locations.



## CONNECTIONS

Figure 7.  
Connect the speakers to the amplifier observing proper polarity.



## SPECIFICATIONS

### 4002i

Type: 4" 2-Way  
Speaker Impedance: 4 Ohms  
Power Handling: 35W RMS, 105W Peak  
Frequency Response: 85Hz – 21kHz  
Sensitivity (2.83V, 1m): 92dB  
Mounting Depth: 2-1/16" (53mm)  
Cut-out Diameter: 3-3/4" (96mm)

### 5002i

Type: 5-1/4" 2-Way  
Speaker Impedance: 4 Ohms  
Power Handling: 45W RMS, 135W Peak  
Frequency Response: 67Hz – 21kHz  
Sensitivity (2.83V, 1m): 92dB  
Mounting Depth: 2-7/16" (62mm)  
Cut-out Diameter: 4-11/16" (120mm)

### 6002i

Type: 6-1/2" 2-Way  
Speaker Impedance: 4 Ohms  
Power Handling: 60W RMS, 180W Peak  
Frequency Response: 53Hz – 21kHz  
Sensitivity (2.83V, 1m): 92dB  
Mounting Depth: 2-1/4" (58mm)  
Cut-out Diameter: 5" (127mm)

### 6002si

Type: 6-1/2" Shallow-mount  
2-Way  
Speaker Impedance: 4 Ohms  
Power Handling: 50W RMS, 150W Peak  
Frequency Response: 58Hz – 21kHz  
Sensitivity (2.83V, 1m): 92dB  
Mounting Depth: 1-7/8" (48mm)  
Cut-out Diameter: 5" (127mm)

### 9602i

Type: 6" x 9" 2-Way  
Speaker Impedance: 4 Ohms  
Power Handling: 100W RMS, 300W Peak  
Frequency Response: 46Hz – 21kHz  
Sensitivity (2.83V, 1m): 92dB  
Mounting Depth: 3-3/16" (81mm)  
Cut-out Diameter: 6-1/16" x 8-7/8"  
(154mm x 226mm)

### 9603i

Type: 6" x 9" 3-Way  
Speaker Impedance: 4 Ohms  
Power Handling: 100W RMS, 300W Peak  
Frequency Response: 46Hz – 21kHz  
Sensitivity (2.83V, 1m): 92dB  
Mounting Depth: 3-3/16" (81mm)  
Cut-out Diameter: 6-1/16" x 8-7/8"  
(154mm x 226mm)

### 3002cf

Type: 3-1/2" 2-Way  
Speaker Impedance: 4 Ohms  
Power Handling: 25W RMS, 75W Peak  
Frequency Response: 85Hz – 21kHz  
Sensitivity (2.83V, 1m): 92dB  
Mounting Depth: 1-5/8" (42mm)  
Cut-out Diameter: 3-1/16" (78mm)

### 6402cf

Type: 4" x 6" 2-Way  
Speaker Impedance: 4 Ohms  
Power Handling: 40W RMS, 120W Peak  
Frequency Response: 72Hz – 21kHz  
Sensitivity (2.83V, 1m): 92dB  
Mounting Depth: 2-1/16" (53mm)  
Cut-out Diameter: 3-5/8" x 5-5/8"  
(93mm x 143mm)

### 6402cfp

Type: 4" x 6" 2-Way Plate  
Speaker Impedance: 4 Ohms  
Power Handling: 45W RMS, 135W Peak  
Frequency Response: 72Hz – 21kHz  
Sensitivity (2.83V, 1m): 92dB  
Mounting Depth: 1-15/16" (50mm)  
Cut-out Diameter: 3-9/16" x 5-11/16"  
(91mm x 145mm)

### 6802cf

Type: 6" x 8" 5/8" x 7" 2-Way  
Speaker Impedance: 4 Ohms  
Power Handling: 60W RMS, 180W Peak  
Frequency Response: 49Hz – 21kHz  
Sensitivity (2.83V, 1m): 92dB  
Mounting Depth: 2-9/16" (66mm)  
Cut-out Diameter: 5" x 7-3/16"  
(127mm x 183mm)

### A valid serial number is required for warranty coverage.

Features, specifications and appearance are subject to change without notice.



TECHNOLOGY • PERFORMANCE • DESIGN

Infinity Systems • 250 Crossways Park Drive, Woodbury, NY 11797 USA  
800.553.3332 • FAX 516.682.3523 • www.infinitysystems.com  
© 2002 Harman International Industries, Incorporated • Part No.: REFMEOM • Printed 12/02  
H A Harman International Company

### Declaration of Conformity



We, Harman Consumer International  
2, route de Tours  
72500 Chateau-du-Loir  
France

declare in own responsibility, that the products  
described in this owner's manual are in compliance  
with technical standards:

EN 50081-1:1992  
EN 50082-1:1997

Emmanuel Millot  
Harman Consumer International  
Chateau-du-Loir, France. 12/02